

Patent
pending

TubeRaiser

Light and safe lifting of tube rails

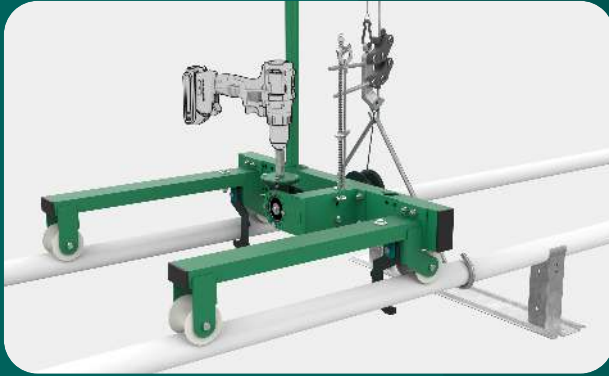
During crop change, replacing the substrate film under the tube rails is physically demanding work. Traditionally, tube rails are lifted manually, requiring significant strength and repetitive effort. In collaboration with Kwekerij Rens Aarts, Metazet has developed a practical solution that automates this heavy lifting. With the TubeRaiser, this strenuous task is a thing of the past.

The TubeRaiser safely lifts the tube rails, allowing the substrate film underneath to be replaced without any manual lifting. The tool is operated by a single employee and, at just 11 kg, is light enough to be carried directly to the adjacent crop aisle at the end of the path. By eliminating both heavy lifting and unnecessary walking, significant savings in labour time and consequently cost are achieved during crop change operations.

Safety was a key priority in the design. The self-braking lifting mechanism ensures that the tube rail cannot drop unexpectedly, and its intuitive operation minimises the risk of misuse. The hoisting system is low-maintenance and comes CE-certified.

metazet™

metazet.com

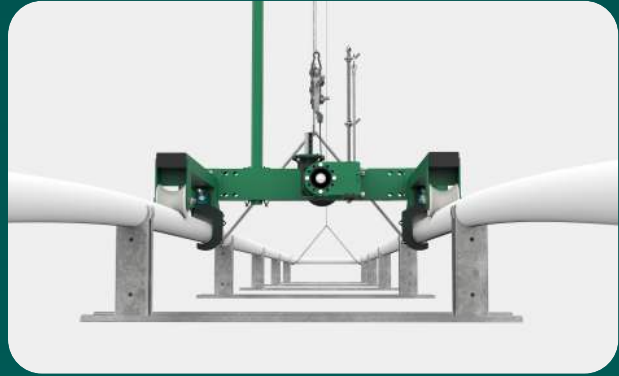


Custom made

Since all production is carried out in-house, various configurations and custom sizes can easily be realised. The TubeRaiser can be supplied as a complete lifting solution with matching lifting hooks and A-hooks in various sizes. All that is required in addition is a standard cordless drill.

The TubeRaiser offers a practical, safe, and lightweight way to perform the heaviest part of crop change more efficiently and with reduced physical strain.

Price available on request. Customisation options available.



Technical specifications:

- ✓ Weight: 11 kg
- ✓ Standard tube rail diameter: 51 mm (other diameters available on request)
- ✓ Centre-to-centre distance of tubes: 420, 425, 500, 550 and 600 mm
- ✓ Maximum lifting capacity: 100 kg
- ✓ Drive: Standard cordless drill
- ✓ Operation: Self-braking lifting mechanism
- ✓ Certification: CE-certified
- ✓ Accessories: Lifting hooks and A-hooks in various sizes

Supporting your Growth.

+31 174 225822
info@metazet.com

[metazet.com](https://www.metazet.com)